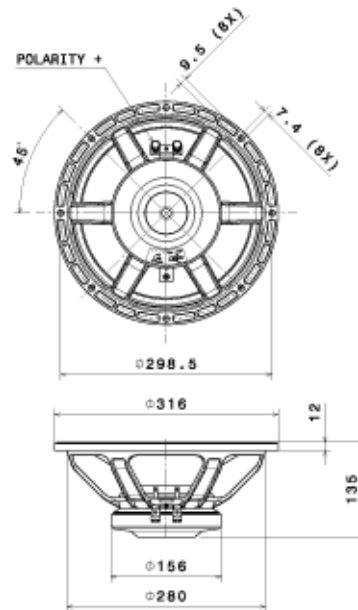




12PR310 Professional Series



NOMINAL SPECIFICATIONS

Nominal Diameter	300 mm (12 in)
Overall Diameter	316 mm (12.44 in)
Bolt Circle Diameter	298.5 mm (11.75 in)
Baffle Cutout Diameter	282 mm (11.10 in)
Depth	135 mm (5.31 in)
Flange and Gasket Thickness	12 mm (0.47 in)
Net Weight	4.3 Kg (9.37 lb)
Shipping Box (Single Carton Box)	350x346x190 mm (13.78x13.62x7.48 in)
Shipping Weight	5 Kg (11.02 lb)

ELECTRICAL SPECIFICATION

Nominal Impedance	8 Ohm
Minimum Impedance	6.7 Ohm
AES Power Handling *	300 W
Maximum Power Handling **	600 W
Sensitivity (1W/1m)	99 dB
Frequency Range	50÷5000 Hz
Voice Coil Diameter	65 mm (2.5 in)
Winding Material	Al
Former Material	Glass Fiber
Winding Depth	12.5 mm (0.49 in)
Magnetic Gap Depth	8 mm (0.31 in)
Flux Density	1.05 T
Magnet	Ferrite Ring
Demodulation	No
Suspension ***	M-Roll

THIELE & SMALL PARAMETERS

Fs	61 Hz
Re	5.4 Ohm
Qes	0.52
Qms	20.5
Qts	0.5
Vas	56.87 dm ³ (2.01 ft ³)
Sd	526 cm ² (81.5 in ²)
Xmax ****	4.92 mm
Xdamage *****	15.25 mm
Mms	46.9 g
Bl	14 N/A
Le	0.61 mH
Mmd	40.1 g
Cms	0.14 mm/N
Rms	0.87 Kg/s
Eta Zero	2.37 %
EBP	117 Hz

NOTES

Spider Profile: 1x variable height waves

(*) 2 Hours Test According to AES 2-1984 Rev. 2003

(**) Maximum power is defined as 3dB greater than nominal power.

(***) Treated Polycotton

(****) $X_{max} = [(winding\ depth - magnetic\ gap\ depth) / 2] + (magnetic\ gap\ depth) / 3$

(*****) Maximum excursion before permanent damage

CURVES

